

# MODULAR VALVE

## 110 BA



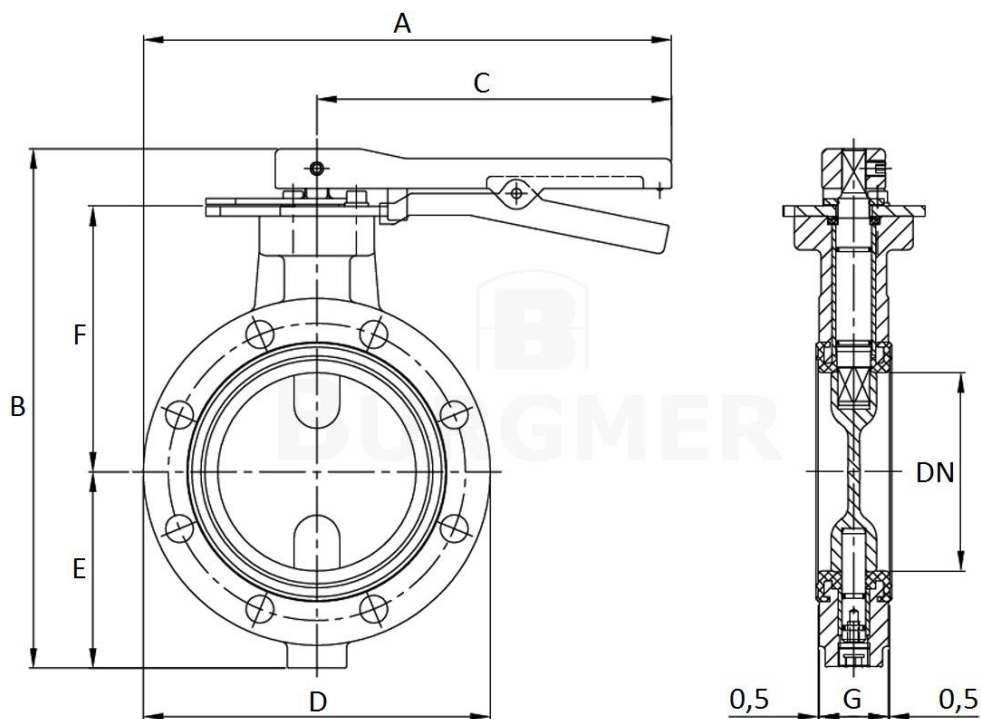
## MODULAR VALVE 110 BA

Application area	Silo- / Liquid tank trailers
Installation situation	Wafer type / Lug type
Medium/aggregate state	Fluids, Bulks, Gases
Diameter	DN 50 – DN 200
Pressure range	-0,8 bar up to +6 bar*
Feature	easy servicing

### Materials

Casing	EN AC-46200 / EN AC-51100
Disc	1.0619 / 1.4408 / 1.4408 HP
Shaft	1.1191 / 1.4404
Bearing pin	1.1191 / 1.4404
Sealing	NBR, EPDM, FKM, Fortelan/AU, MVQ, CSM
Flange boring	TW-standard, PN6, PN10, special boring
Actuation	Hand lever / prepared for cardan joint Customs locking device
Guideline	DGRL 2014/68/EU FDA 177.2600 VO EG 1935/2004

## MODULAR VALVE 110 BA



DN	A	B	C	D	E	F	G	ws
50	241,5	219	179	125	75	115	35	12
65	256,5	242	179	155	88	124	35	12
80	256,5	242	179	155	89	124	35	12 / 15
100	266,5	262	179	175	99	134	35	12 / 15
125	326,5	309	219	215	117	157	41	15 / 16
150	337,0	338	219	236	131	172	41	15 / 16
200	371,5	398	234	275	156	209	51	16 / 19

technical changes reserved\*

ws = wrench size