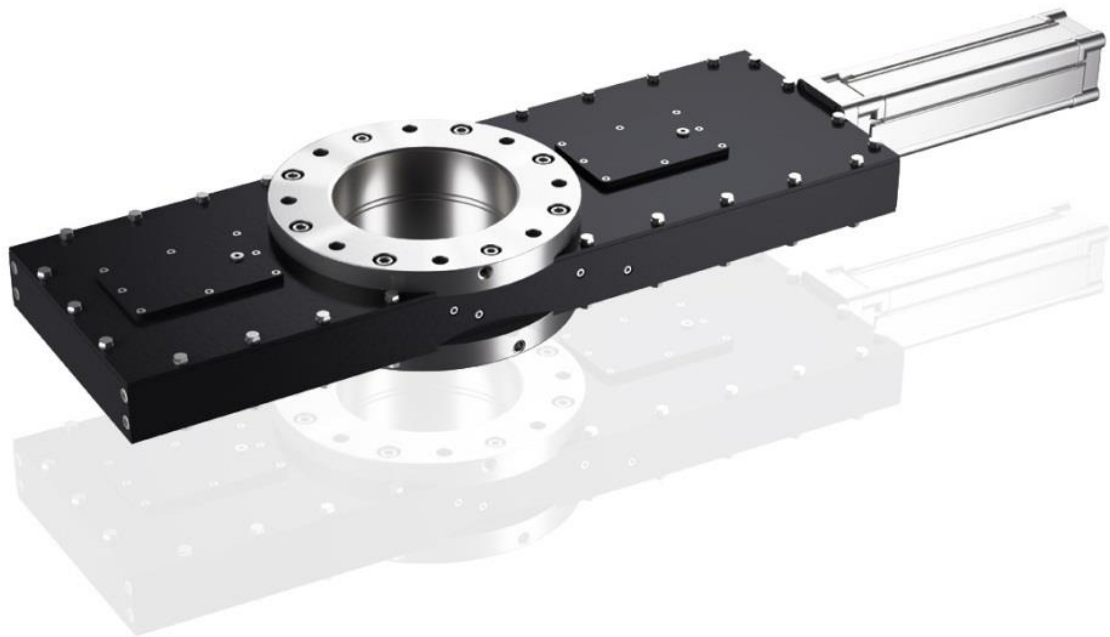


FLAT SLIDE VALVE 450 F-DK



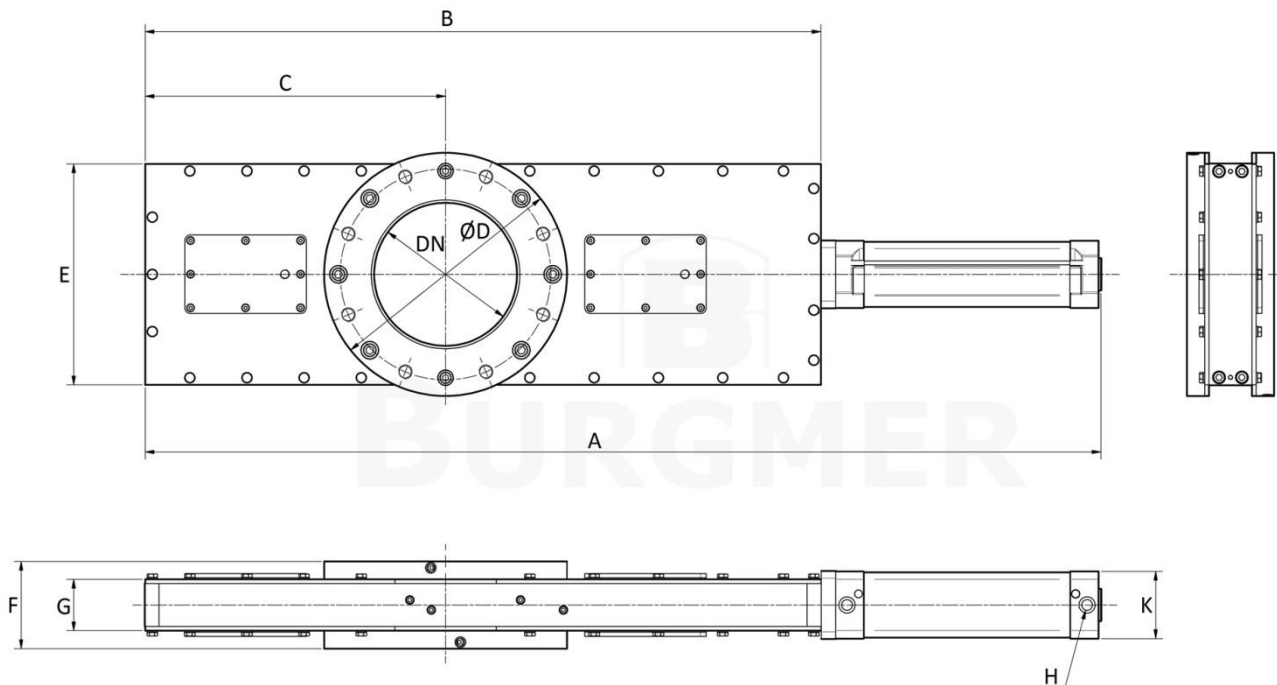
FLAT SLIDE VALVE 450 F-DK

Application area	Food industry, Pharmaceutical-/ Chemical industry, Plant engineering
Installation situation	Wafer type / Lug type
Medium/aggregate state	Fluids, Bulks, Gases
Diameter	DN 150 – DN 800
Pressure range	-0,8 bar up to +5 bar* <small>depends on the Diameter DN</small>
Temperature range	up to +270°C
Feature	both sided pressure- / vacuum-tight

Materials

Casing	EN AW-2007 / EN AW-5083 / S235JR / 1.4301 / 1.4571
Pressure piston	1.4301 / 1.4404 / 1.4571
Flange	1.4301 / 1.4404 / 1.4571
Slide plate	1.4301 / 1.4404 / 1.4571 / Hardox
Sealing	NBR / FKM / Glass fiber
Flange boring	PN6, PN10, special boring
Actuation	pneumatic driven
Feature	Blocking air logic Control logic*

FLAT SLIDE VALVE 450 F-DK



DN	A	B	C	ØD	E	F	G	H	K	Actuator
150	1142	800	346	285	260	122	60	G 3/8"	93,5	XL-80
200	1335	947	421	340	310	122	60	G 3/8"	93,5	XL-80
250	1503	1051	502,5	395	370	144	80	G 1/2"	110	XL-100
300	1754	1252	571	445	420	144	80	G 1/2"	110	XL-100
350	2082	1466	695	505	484	156	80	G 1/2"	139	XL-125
400	1954	1452	771	565	520	244	80	G 1/2"	139	XL-125

technical changes reserved*