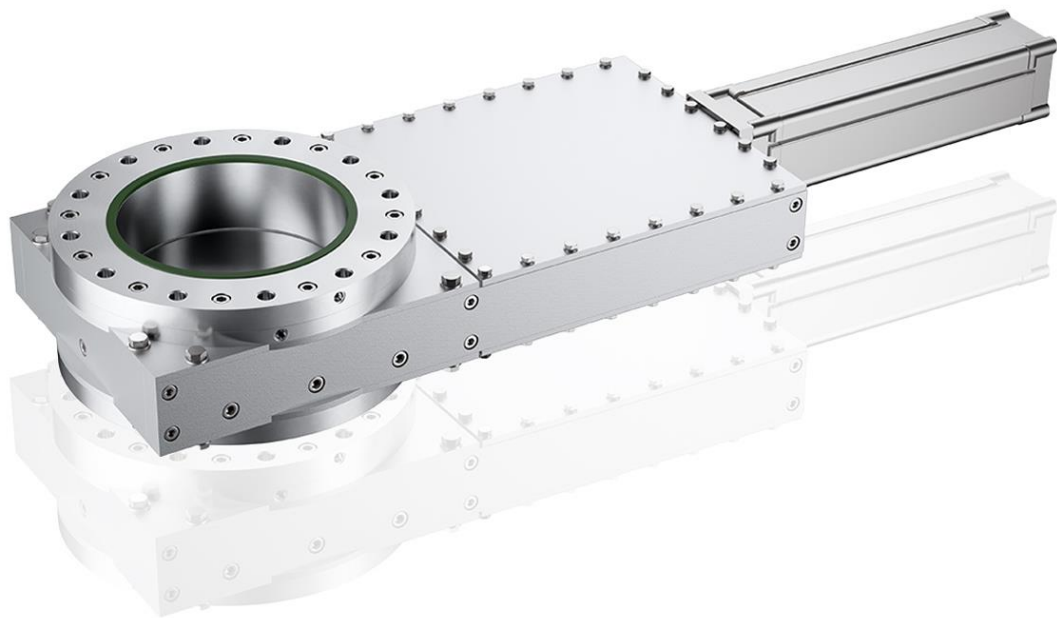


460 F-EP FM

SINGLE GATE VALVE



460 F-EP FM SINGLE GATE VALVE

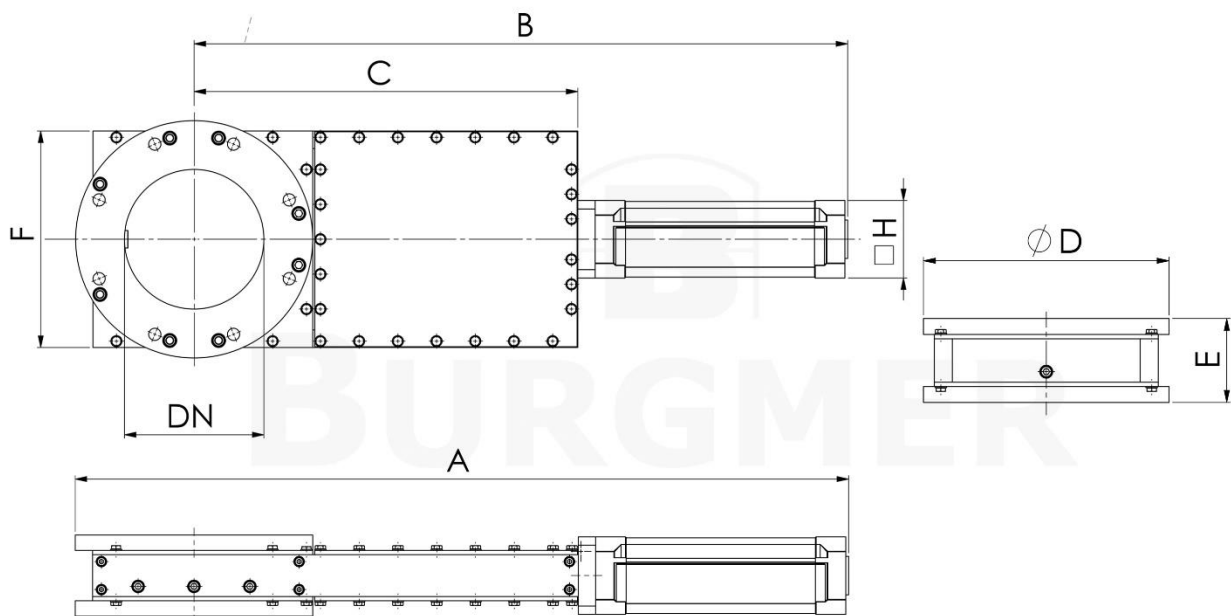
Application area	Plant engineering
Installation situation	Lug type
Medium/aggregate state	Bulks
Diameter	DN 100 – DN 500
Feature	product-tight pressure-tight up to max.3 bar* <small>depends on the Diameter DN</small>

Materials

Casing	EN AW-5083 / S235JR / 1.4404
Flange insert	S235JR / 1.4301/ 1.4404 / 1.4571
Flange	S235JR / 1.4301 / 1.4404 / 1.4571
Slide plate	1.0038 / Hardox / 1.4301 / 1.4404 / 1.4571
Sealing	Gland packing - PTFE
Flange boring	PN6, PN10, special boring
Actuation	pneumatic driven hand-operated / hand wheel
Feature	blocking air logic

460 F-EP FM SINGLE GATE VALVE

product-tight

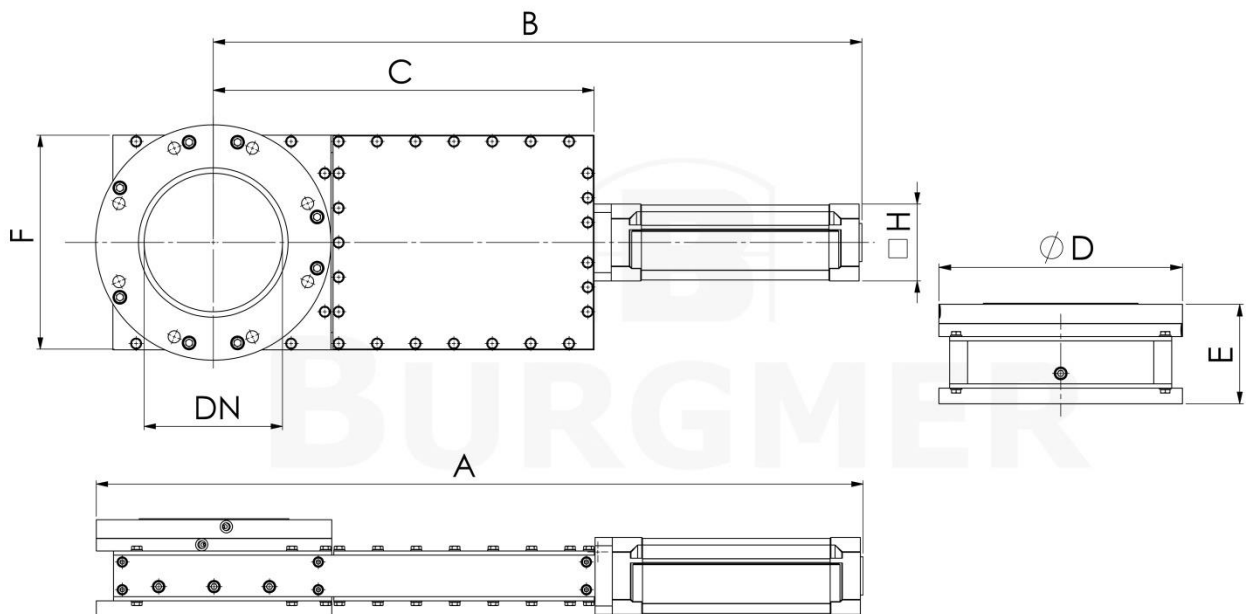


DN	A	B	C	ØD	E	F	G	H	actuator
100	757	647	375	220	112	210	G 3/8"	94	XL 80
150	950	803	470	285	112	260	G 3/8"	111	XL 100
200	1107	937	550	340	116	310	G 3/8"	111	XL 100
250	1208	1050	629	395	146	380	G 1/2"	139	XL 125
300	1460	1237	711	445	146	435	G 1/2"	139	XL 125
400	1778	1495	889	565	166	535	G 3/4"	180	XG 160
500	2087	1752	1056	670	166	635	G 3/4"	180	XG 160

technical changes reserved*

461 F-EP FM SINGLE GATE VALVE

pressure-tight up to max. 3 bar



DN	A	B	C	ØD	E	F	G	H	actuator
100	757	647	375	220	137	210	G 3/8"	94	XL 80
150	950	803	470	285	137	260	G 3/8"	111	XL 100
200	1107	937	550	340	139	310	G 3/8"	111	XL 100
250	1208	1050	629	395	167	380	G 1/2"	139	XL 125
300	1460	1237	711	445	167	435	G 1/2"	139	XL 125
400	1778	1495	889	565	181	535	G 3/4"	180	XG 160
500	2087	1752	1056	670	181	635	G 3/4"	180	XG 160

technical changes reserved*