

THROTTLE VALVE

720 D70/72



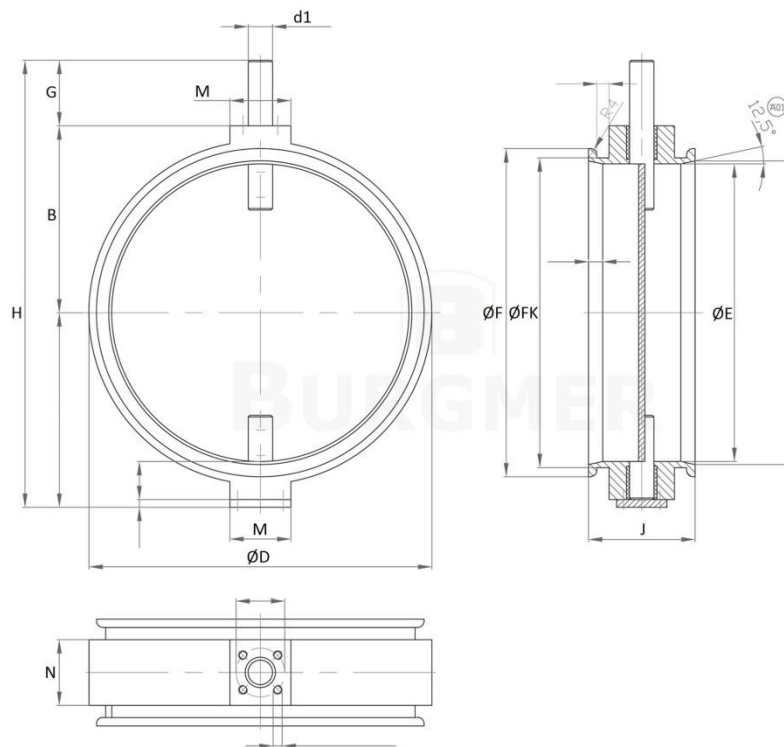
THROTTLE VALVE 720 D70/72

Application area	Food industry, Plant engineering
Installation situation	Wafer type
Medium/aggregate state	Dust, Air
Diameter	DN 50 – DN 350
Pressure range	not 100% tight
Feature	suitable for JACOB [®] - Clamping systems

Materials

Casing	EN AC-46200 / EN AC-51100
Disc	1.4301
Shaft	1.4404
Sealing	none
Flange connection	Clamping systems
Actuation	Hand lever pneumatic driven (double-acting-/ single-acting) electric driven (setting-drive / variable speed drive) Hand worm gear

THROTTLE VALVE 720 D70/72



DN	B	ØD	E	ØF	ØFK	J		G	H	M	N	d1
						S1	S3					
50	48	80	45			50		43	136	40	33	16
65	55	95	60	80		50		43	151	40	33	16
80	63	110	75	95	82	50	60	43	166	40	33	16
100	73	130	95	115	103	50	60	43	186	40	33	16
125	85	150	120	140	128	50	60	43	213	40	33	16
150	98	169	145	165	153	50	60	43	235	40	33	16
200	123	225	195	215	203	60	70	43	288	40	43	16
250	163	290	245	265	253	60	70	55	383	50	43	20
300	188	350	295	315	303	60	70	55	438	50	43	20
350	213	410	345	365	353	60	70	55	493	50	43	20

technical changes reserved*

S1 = without clamping ring groove
S3 = with clamping ring groove